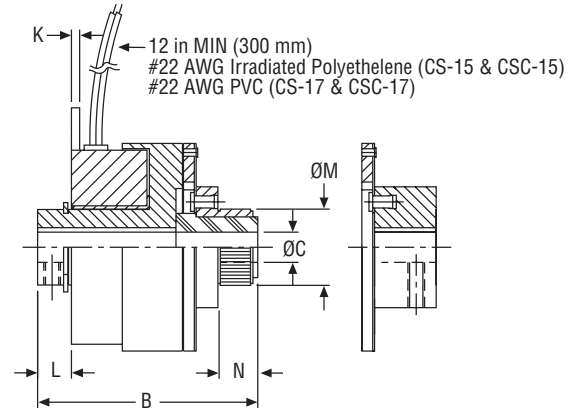
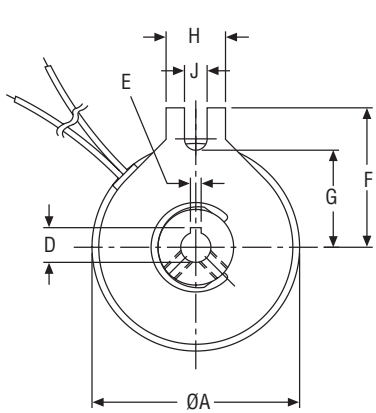




CS-15, 17 Clutches & CSC-15, 17 Clutch Couplings

Dimensions & Specifications



Dimensions (mm)

Mounting requirements see page 144.

CS Model

CSC Model

CS Model Shown

DIMENSIONS													
Model*	Static Torque in (mm)	A: OD in (mm)	B: OAL in (mm)	C: Bore Ø in (mm)	D: K'way Height in (mm)	E: K'way Width in (mm)	F: Tab Height in (mm)	G: Slot Height in (mm)	H: Tab Width in (mm)	J: Slot Width in (mm)	K: Tab Thick. in (mm)	L: Length in (mm)	M: Mtg Ø x N: Lg in (mm)
CS-15B24-E04-E04	10 (1.13)	1.53 (38.9)	1.83 (46.5)	.250 (6.4)	.286 (7.3)	.062 (1.6)	1.10 (27.9)	0.75 (19.1)	0.50 (12.7)	0.19 (4.8)	0.06 (1.5)	0.38 (9.7)	.631 x 0.33 (16.0 x 8.4)
CS-15B24-E05-E05	10 (1.13)	1.53 (38.9)	1.83 (46.5)	.312 (7.9)	.364 (9.2)	.094 (2.4)	1.10 (27.9)	0.75 (19.1)	0.50 (12.7)	0.19 (4.8)	0.06 (1.5)	0.38 (9.7)	.631 x 0.33 (16.0 x 8.4)
CS-15B24-E06-E06	10 (1.13)	1.53 (38.9)	1.83 (46.5)	.375 (9.5)	NA	NA	1.10 (27.9)	0.75 (19.1)	0.50 (12.7)	0.19 (4.8)	0.06 (1.5)	0.38 (9.7)	.631 x 0.33 (16.0 x 8.4)
CSC-15B24-E04-E04	10 (1.13)	1.53 (38.9)	1.68 (42.7)	.250 (6.4)	.286 (7.3)	.062 (1.6)	1.10 (27.9)	0.75 (19.1)	0.50 (12.7)	0.19 (4.8)	0.06 (1.5)	0.38 (9.7)	NA
CSC-15B24-E05-E05	10 (1.13)	1.53 (38.9)	1.68 (42.7)	.312 (7.9)	.364 (9.2)	.094 (2.4)	1.10 (27.9)	0.75 (19.1)	0.50 (12.7)	0.19 (4.8)	0.06 (1.5)	0.38 (9.7)	NA
CSC-15B24-E06-E06	10 (1.13)	1.53 (38.9)	1.68 (42.7)	.375 (9.5)	NA	NA	1.10 (27.9)	0.75 (19.1)	0.50 (12.7)	0.19 (4.8)	0.06 (1.5)	0.38 (9.7)	NA
CS-17B24-E04-E04	15 (1.69)	1.78 (45.2)	1.85 (47.0)	.250 (6.4)	.286 (7.3)	.062 (1.6)	1.32 (33.5)	0.91 (23.1)	0.50 (12.7)	0.19 (4.8)	0.06 (1.5)	0.30 (7.6)	.631 x 0.33 (16.0 x 8.4)
CS-17B24-E05-E05	15 (1.69)	1.78 (45.2)	1.85 (47.0)	.312 (7.9)	.364 (9.2)	.094 (2.4)	1.32 (33.5)	0.91 (23.1)	0.50 (12.7)	0.19 (4.8)	0.06 (1.5)	0.30 (7.6)	.631 x 0.33 (16.0 x 8.4)
CS-17B24-E06-E06	15 (1.69)	1.78 (45.2)	1.85 (47.0)	.375 (9.5)	.425 (10.8)	.094 (2.4)	1.32 (33.5)	0.91 (23.1)	0.50 (12.7)	0.19 (4.8)	0.06 (1.5)	0.30 (7.6)	.631 x 0.33 (16.0 x 8.4)
CSC-17B24-E04-E04	15 (1.69)	1.78 (45.2)	1.55 (39.4)	.250 (6.4)	.286 (7.3)	.062 (1.6)	1.32 (33.5)	0.91 (23.1)	0.50 (12.7)	0.19 (4.8)	0.06 (1.5)	0.30 (7.6)	NA
CSC-17B24-E05-E05	15 (1.69)	1.78 (45.2)	1.55 (39.4)	.312 (7.9)	.364 (9.2)	.094 (2.4)	1.32 (33.5)	0.91 (23.1)	0.50 (12.7)	0.19 (4.8)	0.06 (1.5)	0.30 (7.6)	NA
CSC-17B24-E06-E06	15 (1.69)	1.78 (45.2)	1.55 (39.4)	.375 (9.5)	.425 (10.8)	.094 (2.4)	1.32 (33.5)	0.91 (23.1)	0.50 (12.7)	0.19 (4.8)	0.06 (1.5)	0.30 (7.6)	NA

PERFORMANCE										
Model	Static Torque lb-in (Nm)	Coil Voltage VDC	Resistance Ohms nom.	Power Watts max	Armature Engage. msec	Armature Diseng. msec	Armature Inertia lb-in-sec ²	Rotor Inertia lb-in-sec ²	Weight lb (kg)	Energy Dissipation ft-lb/min
CS-15	10 (1.13)	24/90	130/1800	5.0	8.0	22.0	5.9 x 10 ⁻⁵	5.2 x 10 ⁻⁵	0.4 (0.2)	295
CSC-15	10 (1.13)	24/90	130/1800	5.0	8.0	22.0	6.6 x 10 ⁻⁵	5.2 x 10 ⁻⁵	0.4 (0.2)	295
CS-17	15 (1.69)	24/90	108/1500	6.0	10.0	27.0	7.3 x 10 ⁻⁵	11.4 x 10 ⁻⁵	0.6 (0.3)	420
CSC-17	15 (1.69)	24/90	108/1500	6.0	10.0	27.0	8.1 x 10 ⁻⁵	11.4 x 10 ⁻⁵	0.6 (0.3)	420

*See "How to order" model numbering system on page 100 for clutches & clutch couplings.
(-) denotes metric equivalents. Specifications subject to change without notice.

General Notes

- Initial working air gap at installation shall be .004/.009.
- Static torque values above are burnished.
- Customer shall maintain a loose pin fit through the anti-rotation tab to prevent pre-loading of bearings.
- Metric bores available
- Other voltages available upon request.

CLUTCH & CLUTCH COUPLINGS
FRICTION